

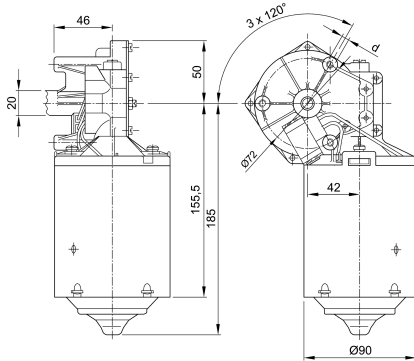
# Series SWMV

## Motor type 402 523

Design Data	
Commutation	Brushed
Direction of rotation	Bi-directional
Bearing type	A: Ball - B: Sleeve

Performance data		
Rated voltage [V]	$U_N$	24
Nominal torque [Nm]	$M_N$	6.00
No-load speed [ $\text{min}^{-1}$ ]	$n_0$	67.0
Nominal power [W]	$P_N$	38.5
Nominal current [A]	$I_N$	5.0
Nominal force [kN]	$F_N$	0.00
Duty cycle	s1	

### 0291 AL

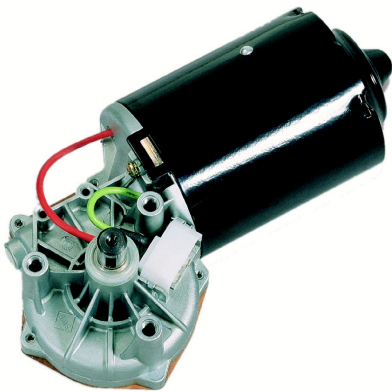


Sensor data	
Pulses	0
Output channels	0

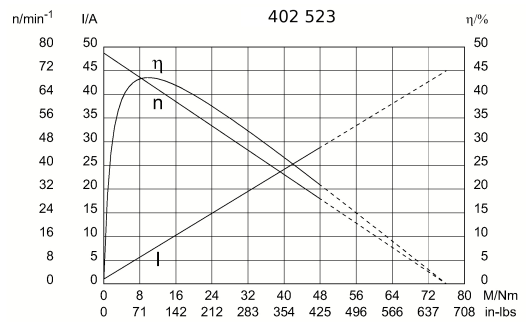
Other data	
Gear ratio	46/1
Gear wheel material	Bronze
Suppression components	
Enclosure class	IP20
Weight [kg]	2.900

Remarks:

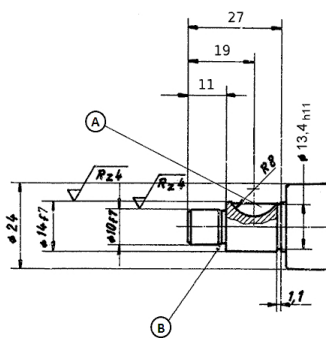
### Motor picture



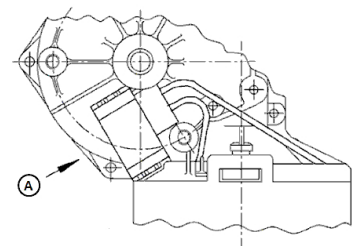
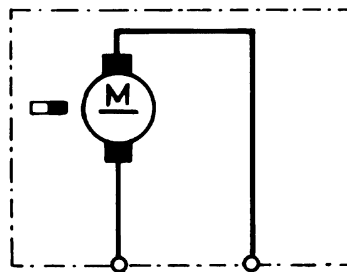
### Characteristic curves



### Output shaft drawing (W), Wiring diagrams (S) and Connector layout (K)



### S 28



A: keyway 5 - P9 width tolerance  
B: undercut E 0.6 x 0.2 to DIN 509

A: spade ends 6.3 x 0.8 (according to DIN 46 244)