

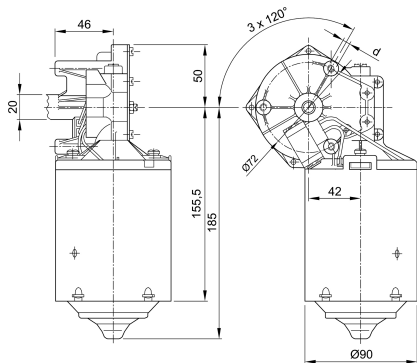
Series SWMV

Motor type 402 525

Design Data	
Commutation	brushed
Direction of rotation	bidirectional
Bearing Type	A:Ball - B:Sleeve

Performance data		
Nominal Voltage [V]	U_N	24
Nominal Torque [Nm]	M_N	8,00
Nominal Speed [min^{-1}]	n_N	69,789
Nominal Power [W]	P_N	58,5
Nominal current [A]	I_N	6,0
Nominal force [kN]	F_N	0,00
Duty cycle	s1	

0291 AL



Sensor data	
Pulses	0
Output channels	0

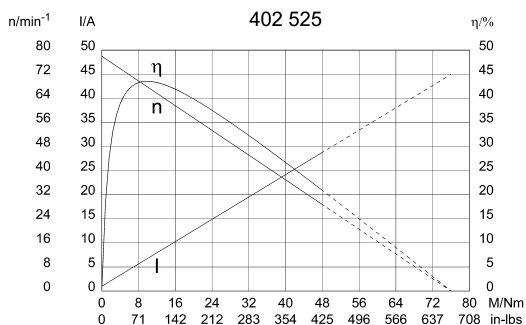
Other data	
Gear ratio	46/1
Gear wheel material	Resinbonded fabric
Suppression components	
Enclosure class	IP 20
Weight [kg]	2,900

Remarks:
d = M6x16mm

Motor picture

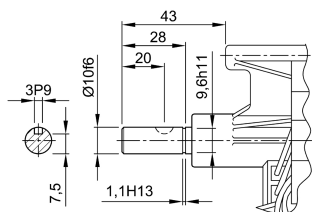


Characteristic Curves

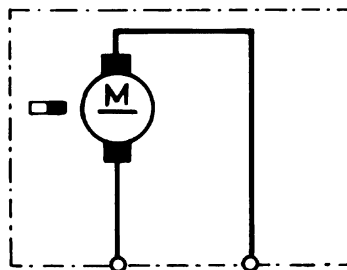


Output shaft drawing (W), Wiring diagrams (S) and Connector layout (K)

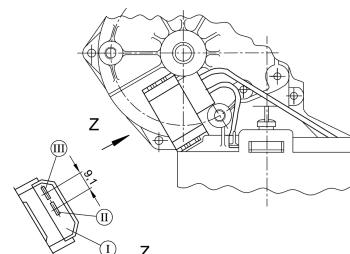
W 278



S 28



K 243



Flat plug 6,8x0,8 DIN 46244 mating with receptacle for tabs and connector housing 163 006-1, drwg C163006, www.tycoelectronics.com