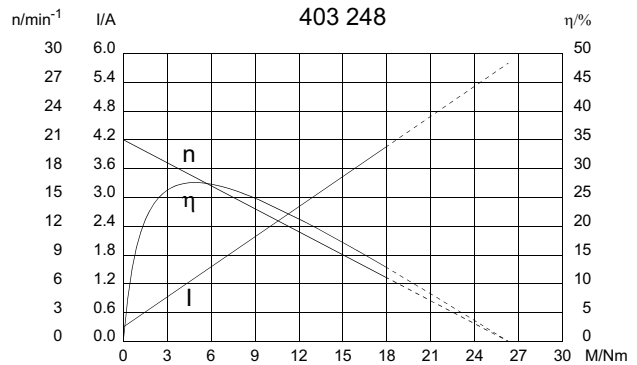
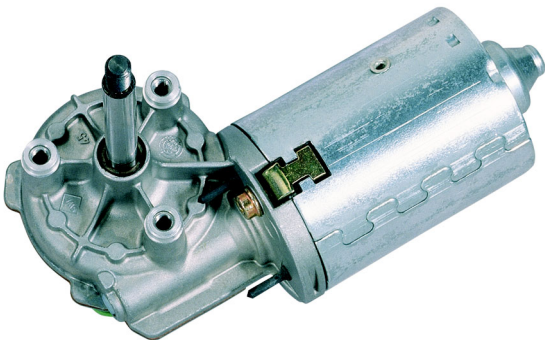
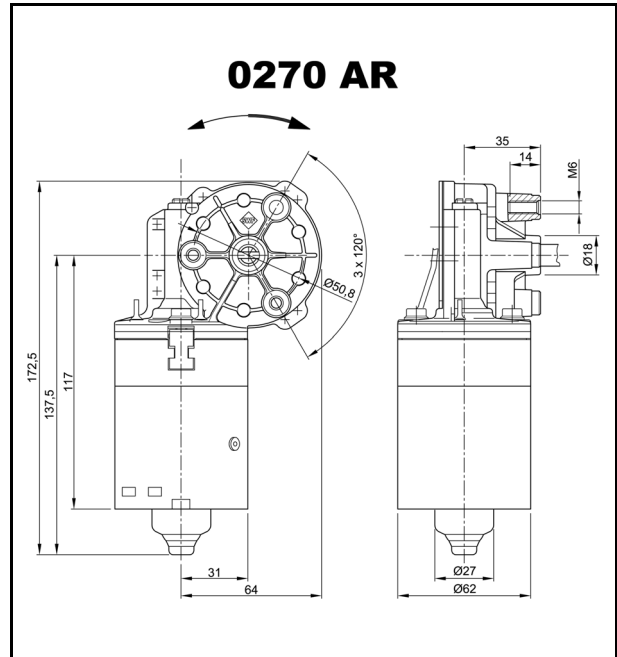


Series 0270 (SWMK)

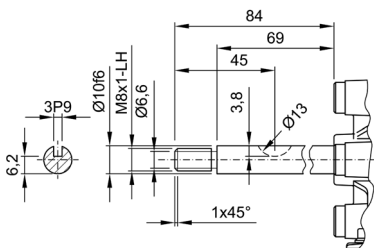
Motor type 403 248

Technical Data

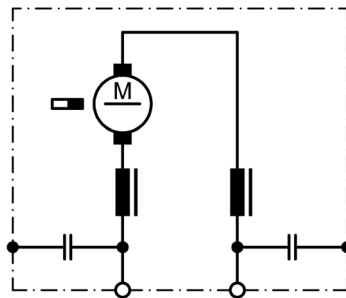
Rated voltage	U_N [Volt]	24
No-load speed	n_0 [min^{-1}]	21
Nominal torque	M_N [Nm]	4,00
ON time	%	
ON	[min]	
Starting torque	M_A [Nm]	26,30
Gear ratio	i	69/1
Armature resistance, 2 bars	R [$\text{m}\Omega$]	
	R [$\text{m}\Omega$]	
Armature inductance, 2 bars	L [mH]	
	L [mH]	
Armature load inertia	J_R [kgm^2] $\times 10^{-6}$	
Gear wheel material	plastic	
Hall IC		
Pulses/rev. drive shaft		
Output channels		
Remarks		
Enclosure class		IP 30
Weight	[kg]	1,200



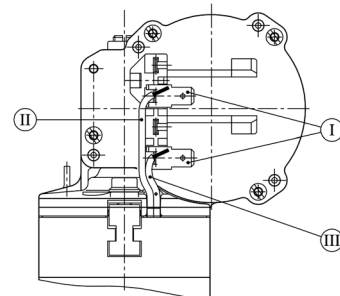
W 120



S 30



K 42



- I Blade terminal ends
6,3 x 0,8 DIN 46 244
- II green
- III red