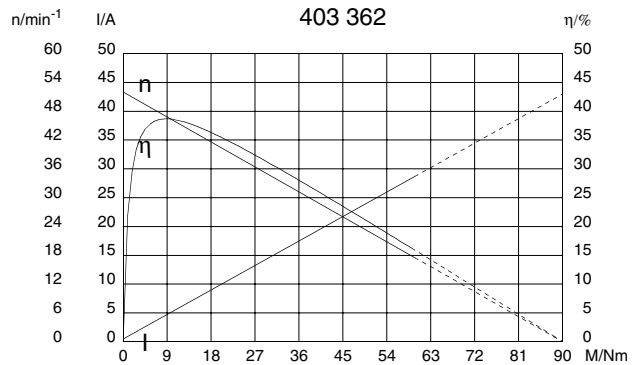
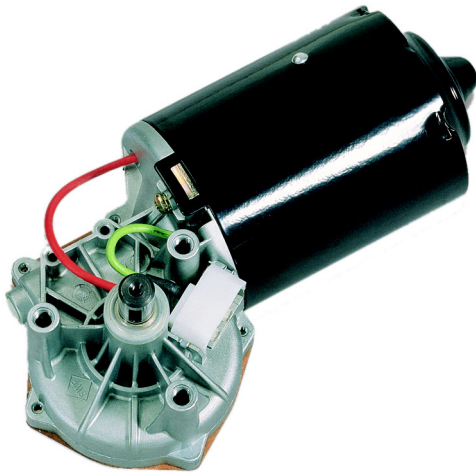
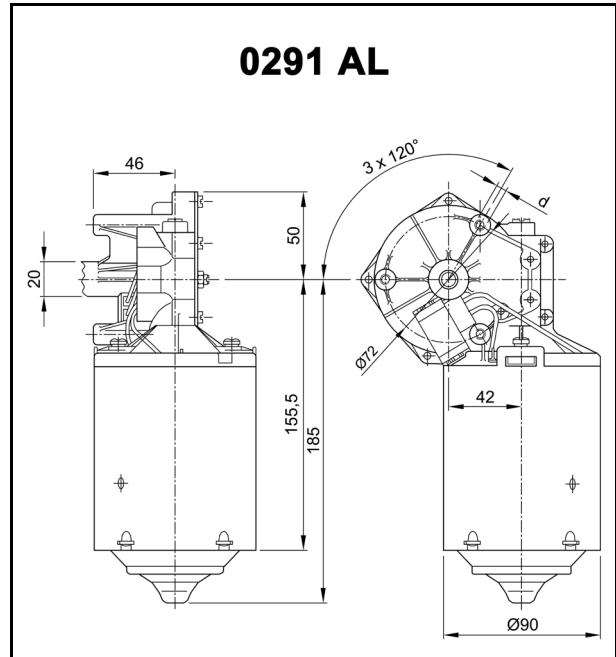


Series 0291 (SWMIV)

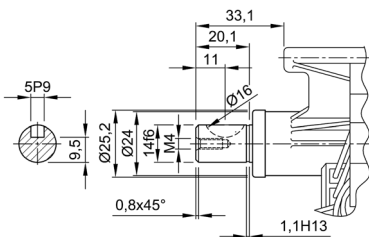
Motor type 403 362

Technical Data

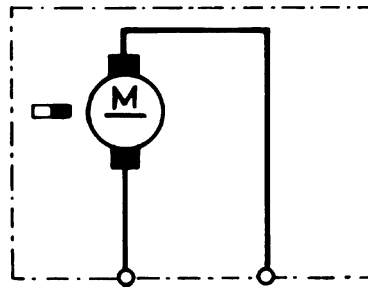
Rated voltage	U_N	[Volt]	24
No-load speed	n_0	[min ⁻¹]	52
Nominal torque	M_N	[Nm]	5,00
ON time		%	
ON		[min]	
Starting torque	M_A	[Nm]	90,00
Gear ratio	i		59/1
Armature resistance, 2 bars	R	[m Ω]	
4 bars	R	[m Ω]	
Armature inductance, 2 bars	L	[mH]	
4 bars	L	[mH]	
Armature load inertia	J_R	[kgm ²] $\times 10^{-6}$	
Gear wheel material		Resinbonded fabric	
Hall IC			
Pulses/rev. drive shaft			
Output channels			
Remarks	$d = M8 \times 23mm$		
Enclosure class			IP 20
Weight		[kg]	2,900



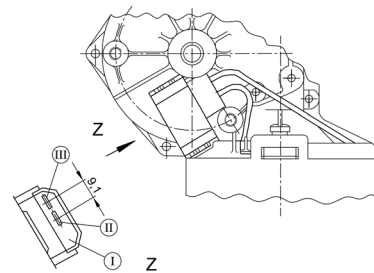
W 126



S 28



K 243



- I Blade terminal ends
6,3 x 0,8 DIN 46 244
- II Terminal 53
- III Terminal 31 (Ground)
- IV Maiting connector AMP 163 006-1