

Series SWMK

Motor type 403 475

Design Data

Commutation	Brushed
Direction of rotation	Bi-directional
Bearing type	

Performance data

Rated voltage [V]	U_N	24
Nominal torque [Nm]	M_N	0.80
No-load speed [min^{-1}]	n_0	350.0
Nominal power [W]	P_N	27.0
Nominal current [A]	I_N	4.0
Nominal force [kN]	F_N	0.00
Duty cycle		s1

Sensor data

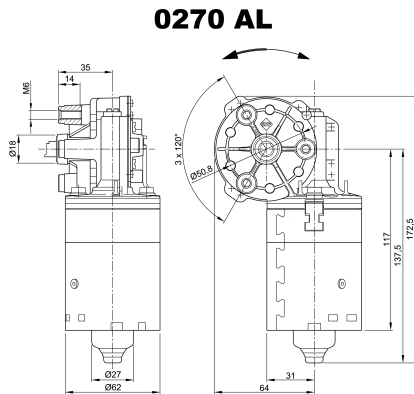
Pulses	0
Output channels	0

Other data

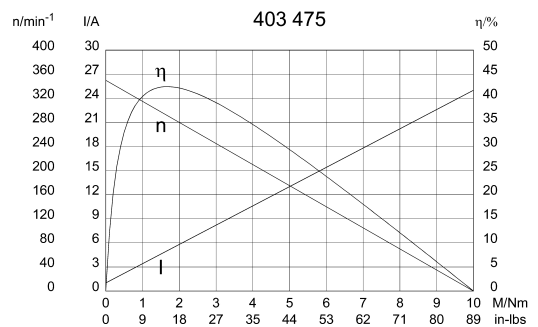
Gear ratio	41/4
Gear wheel material	plastic
Suppression components	1nF
Enclosure class	IP 30
Weight [kg]	1.200

Remarks:

Characteristic curves

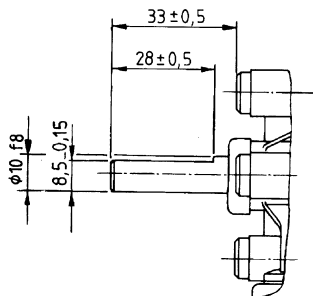


Motor picture

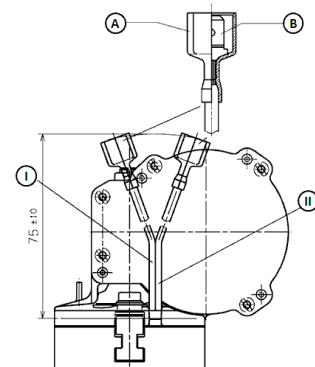
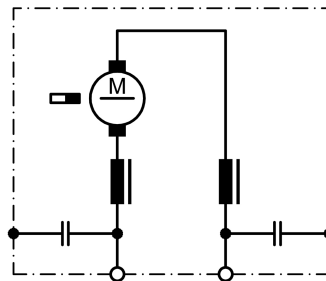


Output shaft drawing (W), Wiring diagrams (S) and Connector layout (K)

W 159



S 30



A: housing MST AMP No. 2-521055-2

B: spade terminals 6.3 x 0.8 DIN 46 244

I: red

II: green