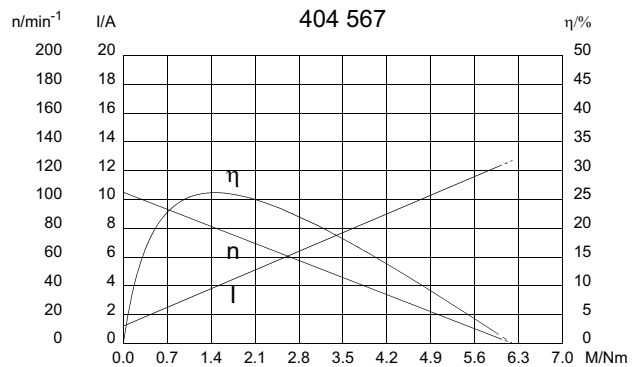
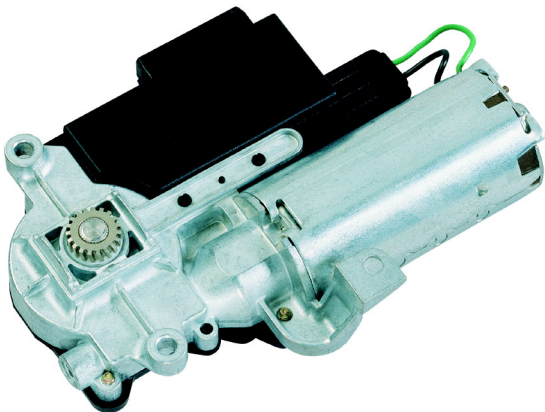
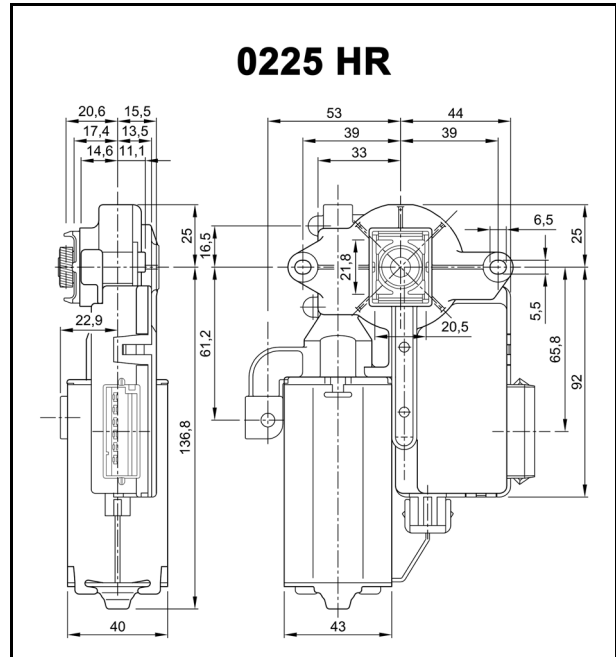


Series 0225 (GMPPG)

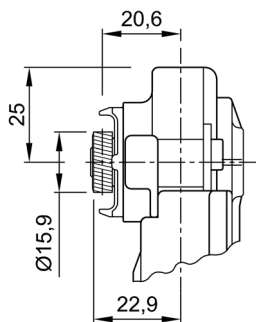
Motor type 404 567

Technical Data

Rated voltage	U_N	[Volt]	12
No-load speed	n_0	[min ⁻¹]	105
Nominal torque	M_N	[Nm]	2,00
ON time	%		10
ON	[min]		
Starting torque	M_A	[Nm]	6,20
Gear ratio	i		30,5/1
Armature resistance, 2 bars	R	[m Ω]	820,00
4 bars	R	[m Ω]	600,00
Armature inductance, 2 bars	L	[mH]	0,84
4 bars	L	[mH]	0,70
Armature load inertia	J_R	[kgm ²] $\times 10^{-6}$	16,50
Gear wheel material		plastic	
Hall IC			
Pulses/rev. drive shaft			
Output channels			
Remarks		without "Express open"	
Enclosure class			
Weight		[kg]	

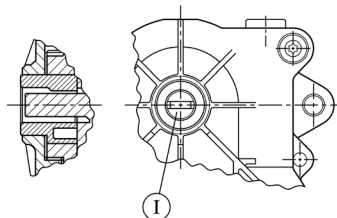


W 257



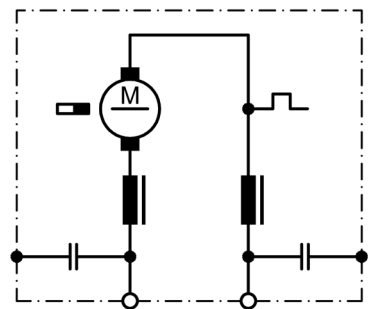
I Tapered splines

W 296



I for manual actuation

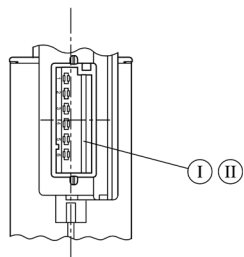
S 74



Series 0225 (GMPG)

Motor type 404 567

K 212



- I Blade terminal housing black
NEDAP-Nr. 3612635
- II 6 Blade receptacles

Notes: