

# Series GMPG

## Motor type 404 603

Design Data	
Commutation	brushed
Direction of rotation	bidirectional
Bearing Type	A:Sleeve - B:Sleeve

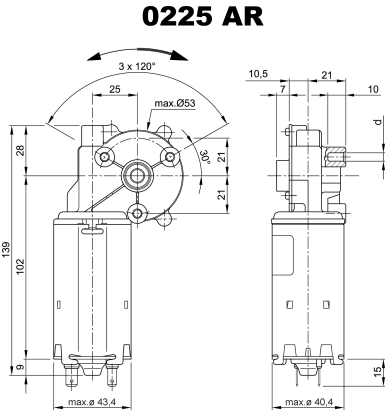
Performance data		
Nominal Voltage [V]	$U_N$	24
Nominal Torque [Nm]	$M_N$	1,00
Nominal Speed [ $\text{min}^{-1}$ ]	$n_N$	70,588
Nominal Power [W]	$P_N$	7,4
Nominal current [A]	$I_N$	2,0
Nominal force [kN]	$F_N$	0,00
Duty cycle	s3	

Sensor data	
Pulses	0
Output channels	0

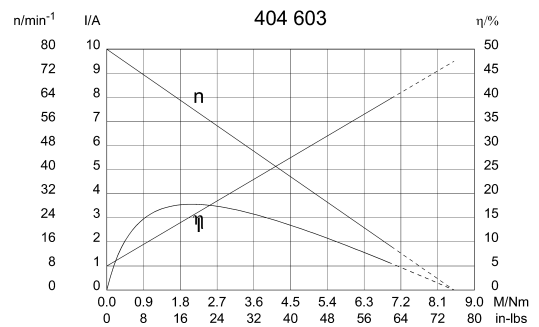
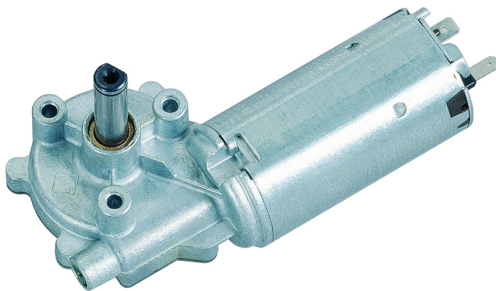
Other data	
Gear ratio	62/1
Gear wheel material	plastic
Suppression components	7,5 $\mu$ H, 1nF
Enclosure class	IP30
Weight [kg]	0,710

Remarks:  
d = for thread-forming screw M 5 DIN 7500

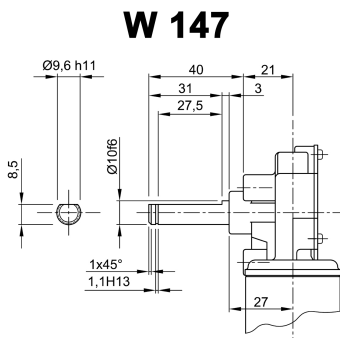
### Characteristic Curves



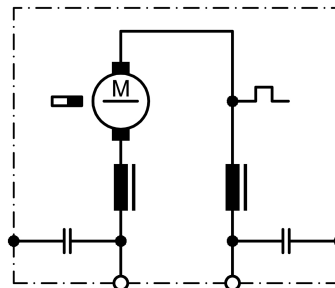
### Motor picture



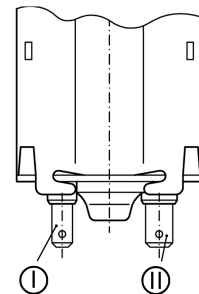
### Output shaft drawing (W), Wiring diagrams (S) and Connector layout (K)



### S 74



### K 117



- I Blade terminal ends 4,8 x 0,8 DIN 46 244
- II Blade terminal ends 6,3 x 0,8 DIN 46 244