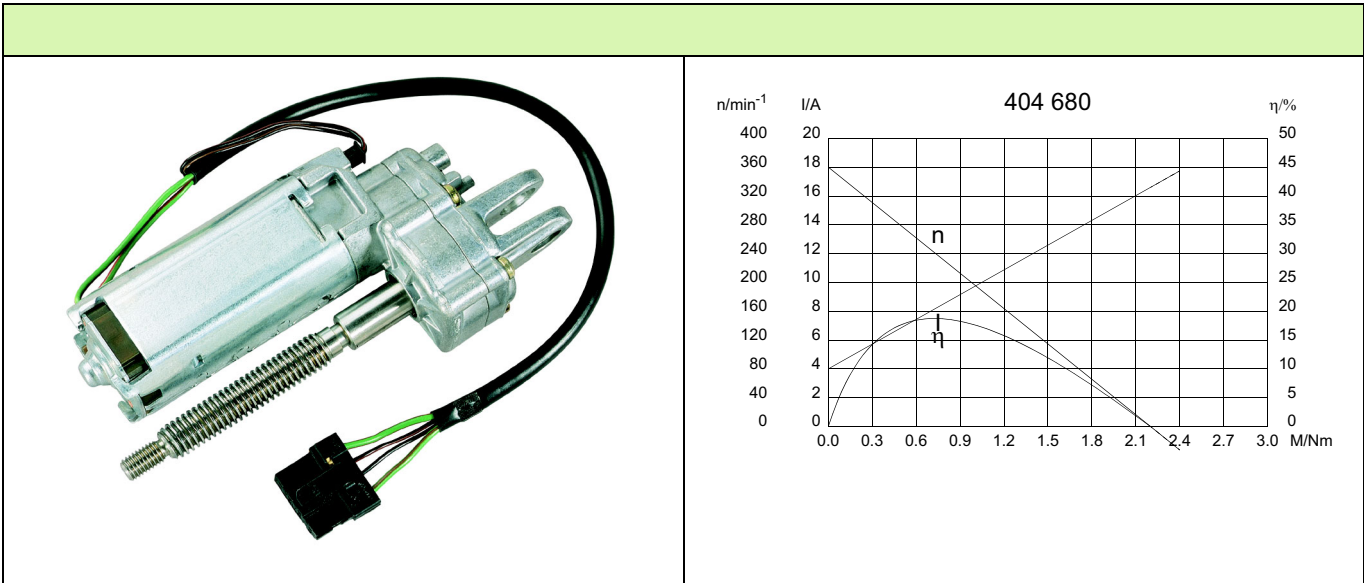
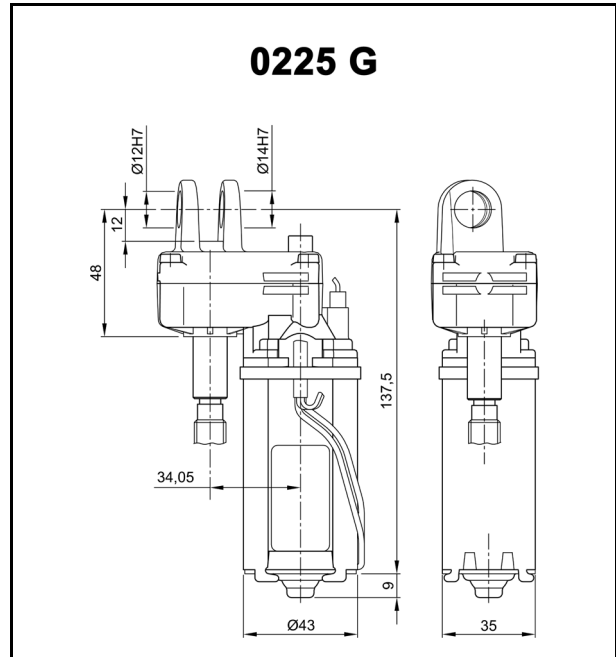


Series 0225 (GMPG)

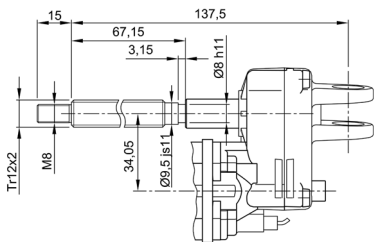
Motor type 404 680

Technical Data

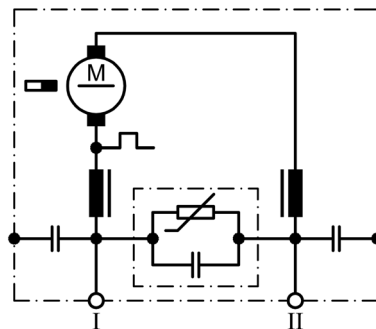
Rated voltage	U_N [Volt]	12
No-load speed	n_0 [min^{-1}]	360
Nominal torque	M_N [Nm]	0,35
ON time	%	10
ON	[min]	
Starting torque	M_A [Nm]	2,20
Gear ratio	i	10/1
Armature resistance, 2 bars	R [$\text{m}\Omega$]	
	R [$\text{m}\Omega$]	
Armature inductance, 2 bars	L [mH]	
	L [mH]	
Armature load inertia	J_R [kgm^2] $\times 10^{-6}$	
Gear wheel material	plastic	
Hall IC		X
Pulses/rev. drive shaft		10,00
Output channels		1
Remarks		
Enclosure class		IP 40
Weight	[kg]	0,730



W 261

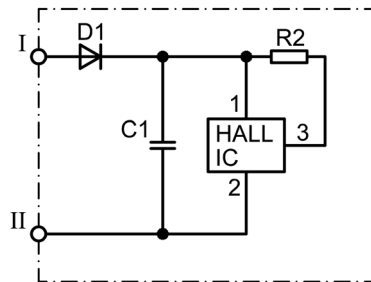


S 84



- I Terminal 5, green/red
- II Terminal 8, green/brown

S 81

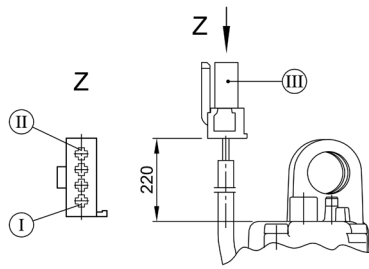


- I Terminal 6, +, black/red
- II Terminal 7, -, black/brown

Series 0225 (GMPG)

Motor type 404 680

K 215



- I Terminal 5, motor, green/red
- II Terminal 8, motor, green/brown
- III Terminal housing black
Bolt beige

Notes: