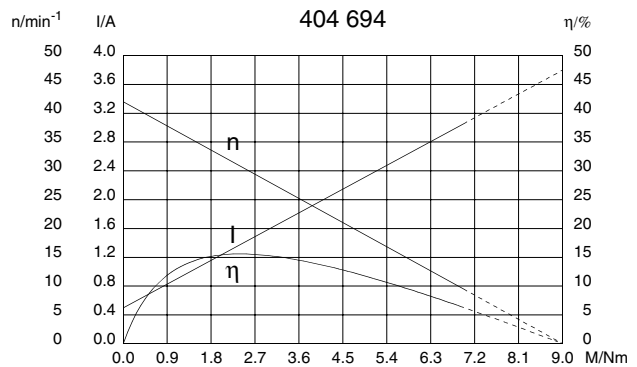
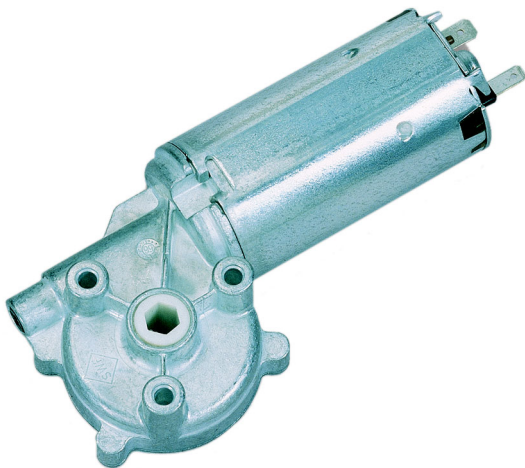
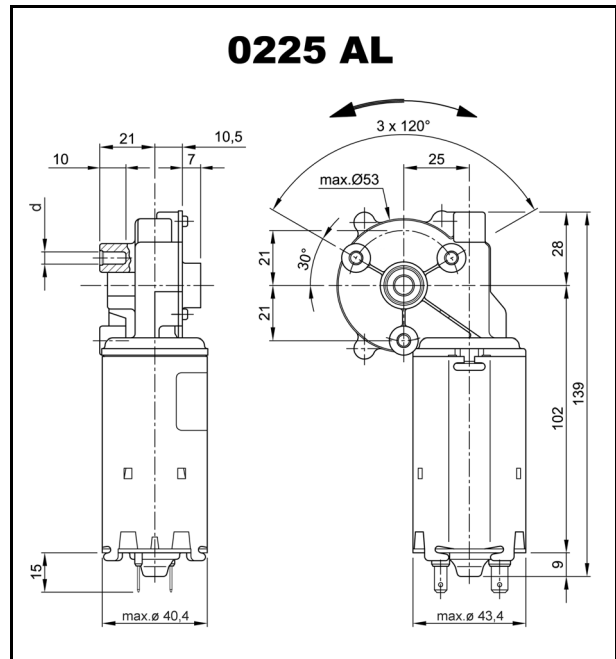
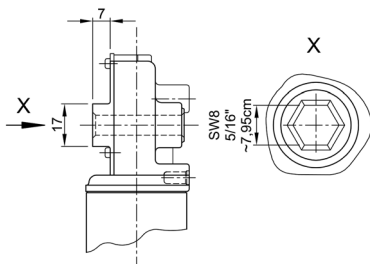


### Technical Data

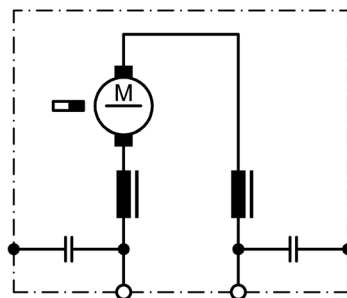
Rated voltage	$U_N$ [Volt]	36
No-load speed	$n_0$ [ $\text{min}^{-1}$ ]	42
Nominal torque	$M_N$ [Nm]	2,00
ON time	%	10
ON	[min]	
Starting torque	$M_A$ [Nm]	9,00
Gear ratio	$i$	72/1
Armature resistance, 2 bars	$R$ [ $\text{m}\Omega$ ]	
	$R$ [ $\text{m}\Omega$ ]	
Armature inductance, 2 bars	$L$ [mH]	
	$L$ [mH]	
Armature load inertia	$J_R$ [ $\text{kgm}^2$ ] $\times 10^{-6}$	
Gear wheel material	plastic	
Hall IC		
Pulses/rev. drive shaft		
Output channels		
Remarks	$d =$ for self-tapping screw M 5	
Enclosure class		IP 30
Weight	[kg]	0,710



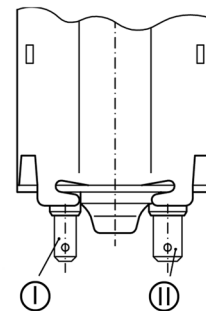
### W 229



### S 30



### K 117



- I Blade terminal ends  
4,8 x 0,8 DIN 46 244
- II Blade terminal ends  
6,3 x 0,8 DIN 46 244