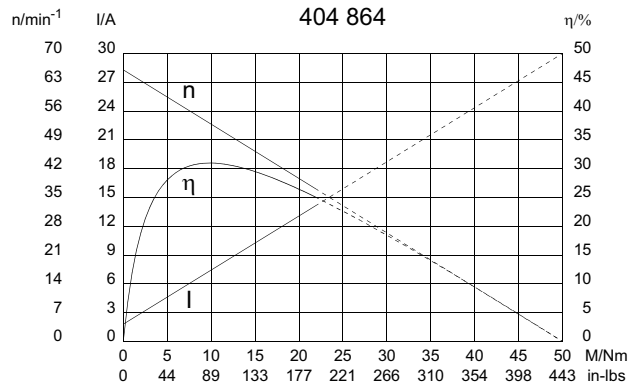
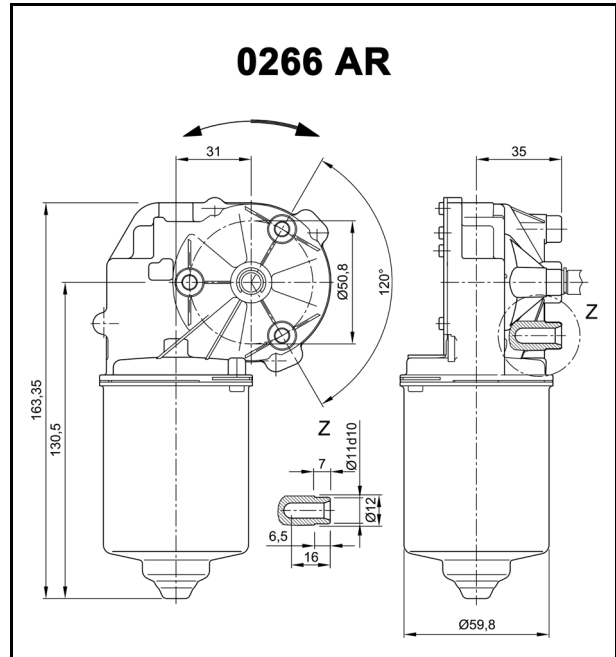


Series 0266 (DCK31)

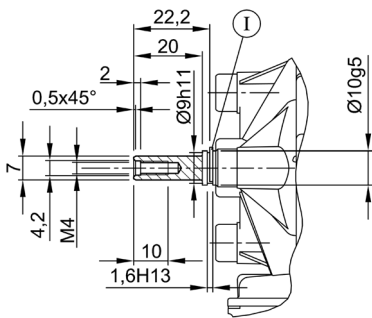
Motor type 404 864

Technical Data

Rated voltage	U_N [Volt]	24
No-load speed	n_0 [min^{-1}]	66
Nominal torque	M_N [Nm]	4,00
ON time	%	
ON	[min]	
Starting torque	M_A [Nm]	50,00
Gear ratio	i	69/1
Armature resistance, 2 bars	R [$\text{m}\Omega$]	
	R [$\text{m}\Omega$]	
Armature inductance, 2 bars	L [mH]	
	L [mH]	
Armature load inertia	J_R [kgm^2] $\times 10^{-6}$	
Gear wheel material	plastic	
Hall IC		
Pulses/rev. drive shaft		
Output channels		
Remarks	d = for self-tapping screw M 6	
Enclosure class		IP 30
Weight	[kg]	1,210

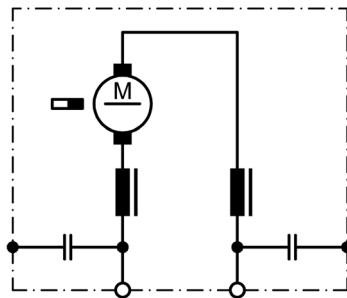


W 289

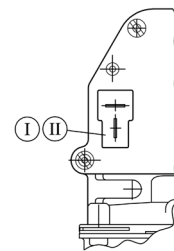


I Circlip DIN 471

S 30



K 249



I Blade terminal 6,3mm

II Mating connector: AMP PE 926474-1 with terminal AMP PE 5-0160558-2