

# Series DCK31

## Motor type 404 865

Design Data	
Commutation	Brushed
Direction of rotation	Bi-directional
Bearing type	A: Ball - B: Sleeve

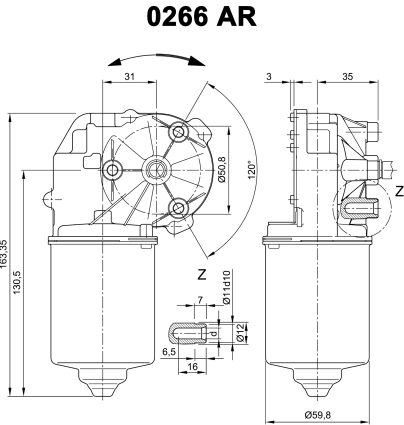
Performance data		
Rated voltage [V]	$U_N$	24
Nominal torque [Nm]	$M_N$	4.00
No-load speed [ $\text{min}^{-1}$ ]	$n_0$	75.0
Nominal power [W]	$P_N$	28.9
Nominal current [A]	$I_N$	5.5
Nominal force [kN]	$F_N$	0.00
Duty cycle	s1	

Sensor data	
Pulses	69
Output channels	2

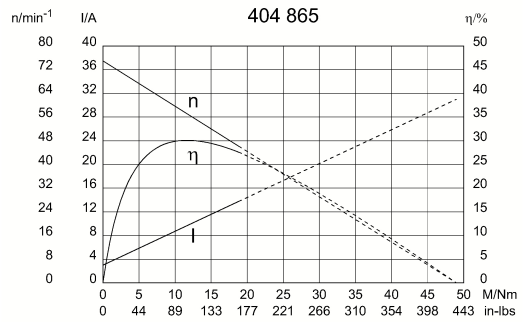
Other data	
Gear ratio	69/1
Gear wheel material	Plastic
Suppression components	6.0 $\mu$ H, 1nF
Enclosure class	IP30
Weight [kg]	1.210

Remarks: d = for thread-forming screw M6 DIN ISO 965-2

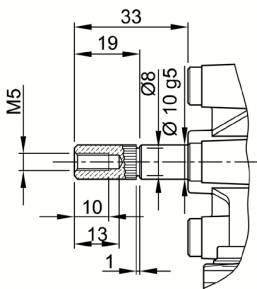
### Characteristic curves



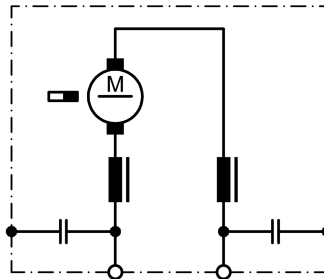
### Motor picture



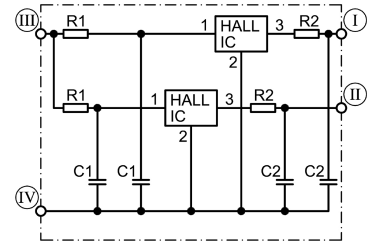
### Output shaft drawing (W), Wiring diagrams (S) and Connector layout (K)



### S 30



### S 141



- I Hall-IC A1, terminal 3
- II Hall-IC A2, terminal 4
- III Hall-IC +, terminal 5
- IV Hall-IC -, terminal 6

