

Series GMPG

Motor type 404 910

Design Data	
Commutation	brushed
Direction of rotation	bidirectional
Bearing Type	A:Sleeve - B:Sleeve

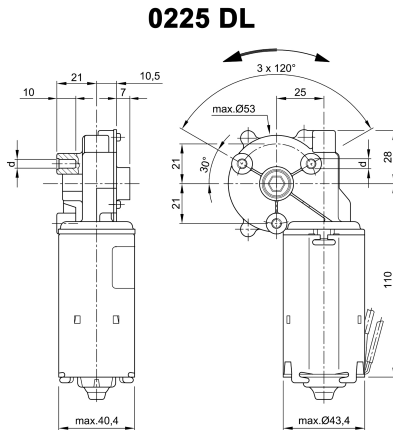
Performance data		
Nominal Voltage [V]	U_N	24
Nominal Torque [Nm]	M_N	1,50
Nominal Speed [min^{-1}]	n_N	28,438
Nominal Power [W]	P_N	4,5
Nominal current [A]	I_N	1,5
Nominal force [kN]	F_N	0,00
Duty cycle	s3	

Sensor data	
Pulses	288
Output channels	1

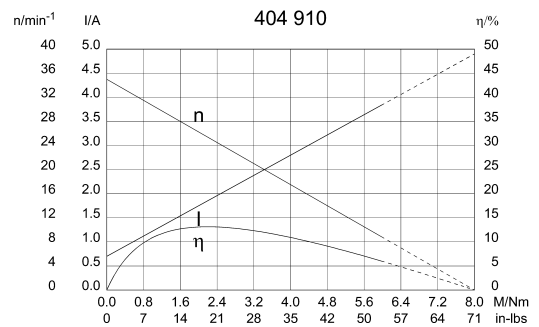
Other data	
Gear ratio	72/1
Gear wheel material	plastic
Suppression components	7,5 μ H
Enclosure class	IP 30
Weight [kg]	0,710

Remarks:
d = for thread-forming screw M5 DIN 7500

Characteristic Curves

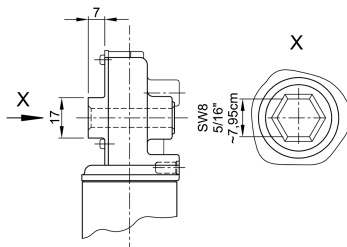


Motor picture

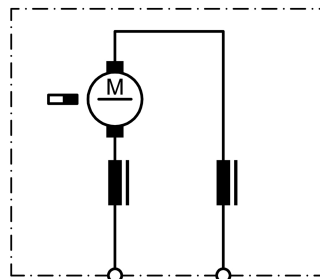


Output shaft drawing (W), Wiring diagrams (S) and Connector layout (K)

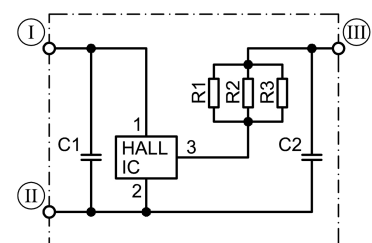
W 229



S 27



S 125



- I Terminal 3, +, white
- II Terminal 2, -, black
- III Terminal 6, OUT, red

