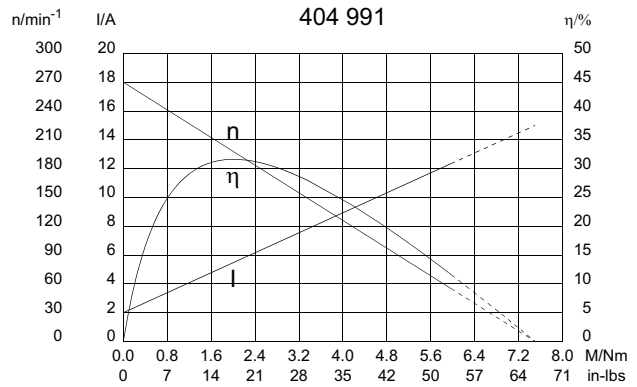
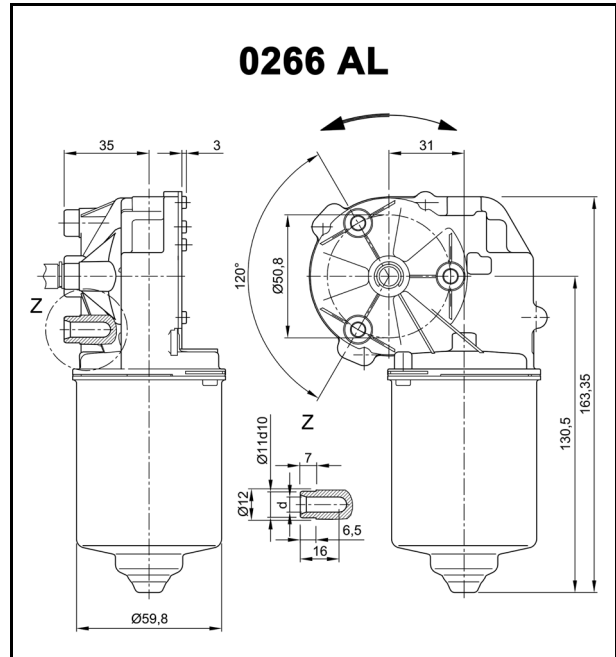


# Series 0266 (DCK31)

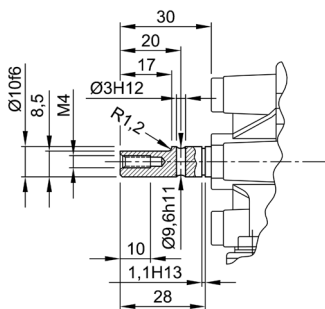
Motor type 404 991

## Technical Data

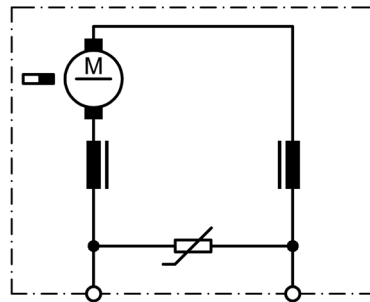
Rated voltage	$U_N$	[Volt]	24
No-load speed	$n_0$	[min <sup>-1</sup> ]	270
Nominal torque	$M_N$	[Nm]	1,00
ON time		%	
ON		[min]	
Starting torque	$M_A$	[Nm]	7,50
Gear ratio	$i$		41/4
Armature resistance, 2 bars	$R$	[m $\Omega$ ]	
4 bars	$R$	[m $\Omega$ ]	
Armature inductance, 2 bars	$L$	[mH]	
4 bars	$L$	[mH]	
Armature load inertia	$J_R$	[kgm <sup>2</sup> ] $\times 10^{-6}$	
Gear wheel material		plastic	
Hall IC			X
Pulses/rev. drive shaft			10,25
Output channels			1
Remarks	d = for thread-forming screw M6 DIN ISO 965-2		
Enclosure class			IP 30
Weight		[kg]	1,250



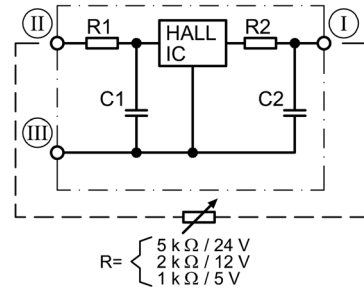
### W 40



### S 144



### S 124



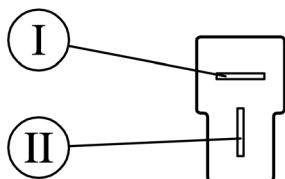
$$R = \begin{cases} 5 \text{ k}\Omega / 24 \text{ V} \\ 2 \text{ k}\Omega / 12 \text{ V} \\ 1 \text{ k}\Omega / 5 \text{ V} \end{cases}$$

- I Terminal 3, A
- II Terminal 4, +
- III Terminal 5, -

# Series 0266 (DCK31)

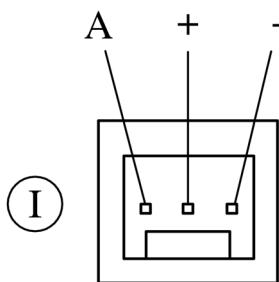
Motor type 404 991

## K 320



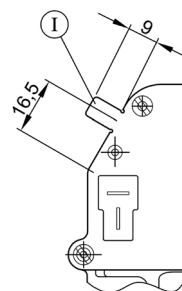
- I Blade terminals 6.3 x 0.8  
DIN 46 244
- II Mating connector: Tyco 180907  
with sleeve AMP 925603

## K 325



- I Mating connector: Panduit CE100 F22 - 03

## K 312



- I Ground connection  
Blade terminal 6.3 x 0.8 DIN 46 244

Notes: