

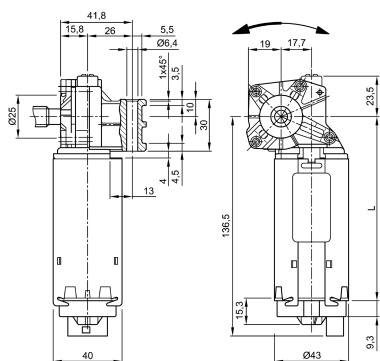
# Series GMPS

## Motor type 405 091

Design Data	
Commutation	none
Direction of rotation	Bi-directional
Bearing type	A: Sleeve - B: Sleeve

Performance data		
Rated voltage [V]	$U_N$	12
Nominal torque [Nm]	$M_N$	1.50
No-load speed [ $\text{min}^{-1}$ ]	$n_0$	145.0
Nominal power [W]	$P_N$	16.6
Nominal current [A]	$I_N$	6.0
Nominal force [kN]	$F_N$	1.50
Duty cycle		s3

### 0321 BL



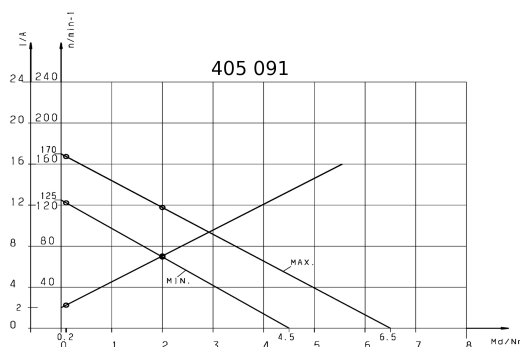
Sensor data	
Pulses	29
Output channels	1

Other data	
Gear ratio	29/1
Gear wheel material	
Suppression components	5,5 $\mu$ H, 47nF, (0,47 $\mu$ F)
Enclosure class	IP40
Weight [kg]	0.880

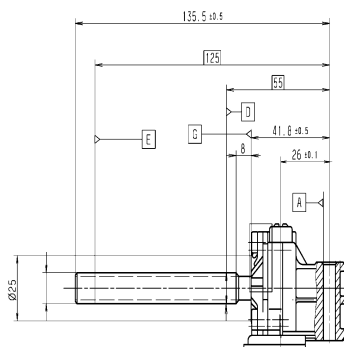
Remarks: 1 start worm

### Characteristic curves

### Motor picture

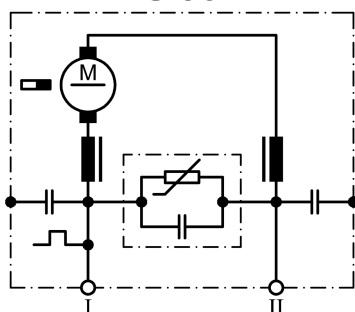


### Output shaft drawing (W), Wiring diagrams (S) and Connector layout (K)



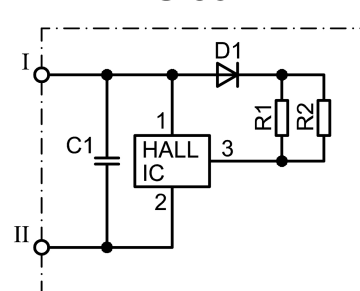
Output spindle: 7 / 16 Stub ACME RH

### S 93



I Terminal 1  
II Terminal 5

### S 85



I Terminal 4, Hall-IC +  
II Terminal 2, Hall-IC -

