

Series 0280 (GMM)

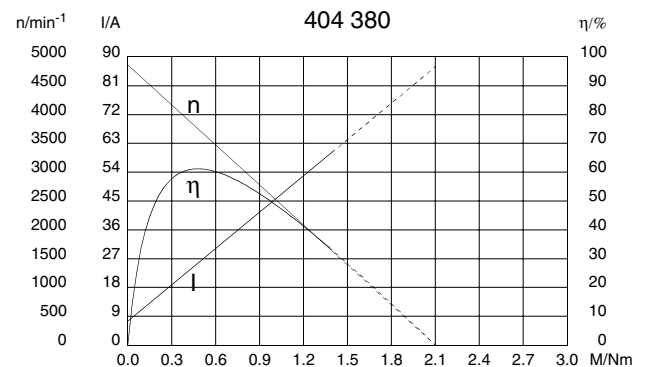
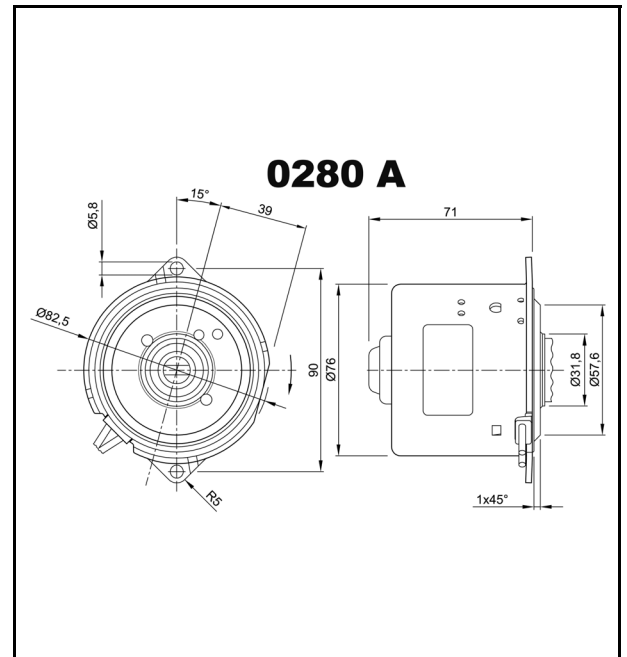
Valeo

MOTORS & ACTUATORS

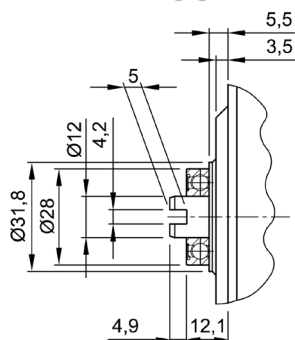
Motor type 404 380

Technical Data

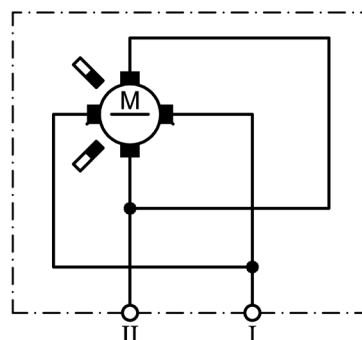
Rated voltage	U_N	[Volts]	12
No load speed	n_0	[min ⁻¹]	4860
Rated torque	M_N	[Nm]	0,50
ON time		%	
ON		[min]	
Starting torque	M_A	[Nm]	2,10
Transmission ratio	i		
Connection resistance 2 discs	R	[mΩ]	
4 discs	R	[mΩ]	
Connection inductance 2 discs	L	[mH]	
4 discs	L	[mH]	
Armatures moment of inertia	J_R	[kgm ⁻²] × 10 ⁻¹	
Gear wheel material			
Hall IC			
Pulses/rev. drive shaft			
Output channels			
Remarks			
Level of protection			IP 67
Weight		[kg]	0,800



W 263

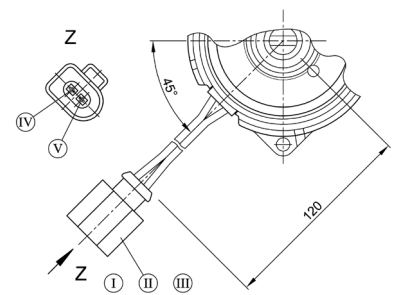


S 087



I + , red
II - , black

K 217



I terminal housing 2-pol FEP 8650-7
II Male spade terminal 2,8 AMP 964.273-2
III Lead sealing AMP 963.292-1 (yellow)
IV Motor + , red
V Motor - , black