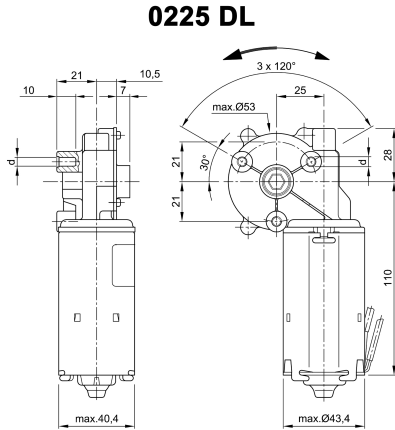


Design Data	
Commutation	brushed
Direction of rotation	bidirectional
Bearing Type	A:Sleeve - B:Sleeve

Performance data		
Nominal Voltage [V]	U_N	24
Nominal Torque [Nm]	M_N	1,50
Nominal Speed [min^{-1}]	n_N	28,438
Nominal Power [W]	P_N	4,5
Nominal current [A]	I_N	1,5
Nominal force [kN]	F_N	0,00
Duty cycle	s3	

Sensor data	
Pulses	288
Output channels	1

Other data	
Gear ratio	72/1
Gear wheel material	plastic
Suppression components	7,5 μ H
Enclosure class	IP 30
Weight [kg]	0,710

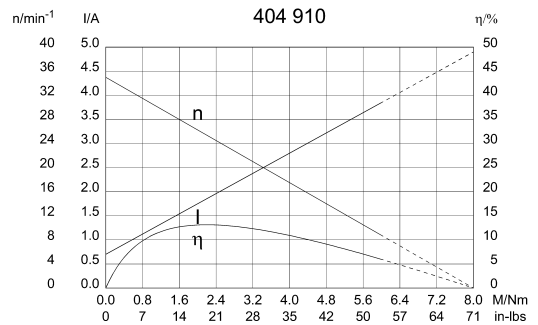


Remarks:

d = for thread-forming screw M5 DIN 7500

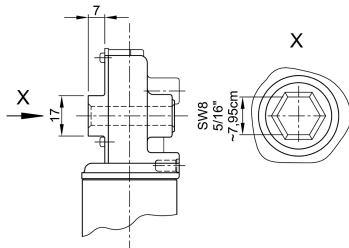
Characteristic Curves

Motor picture

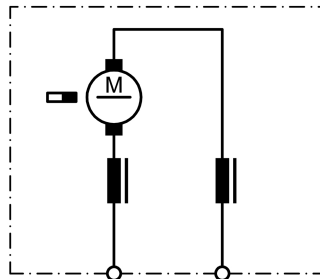


Output shaft drawing (W), Wiring diagrams (S) and Connector layout (K)

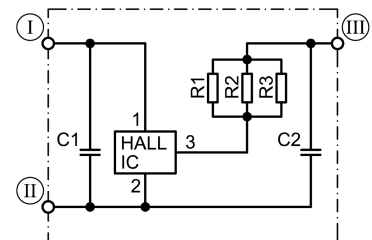
W 229



S 27



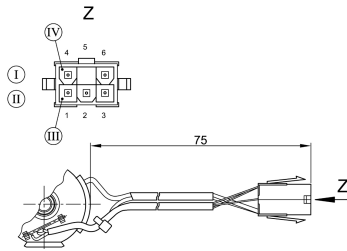
S 125



- I Terminal 3, +, white
- II Terminal 2, -, black
- III Terminal 6, OUT, red

Output shaft drawing (W), Wiring diagrams (S) and Connector layout (K)

K 268



plug housing Molex minifit jr 39-01-2066
(4,2mm - .165"), **terminals** Molex 39-00-0430
(18-24AWG, gold plated)
1 violet motor, **2 black** encoder gnd, **3 white**
encoder +, **4 blue** motor, **6 red** encoder out

Notes
