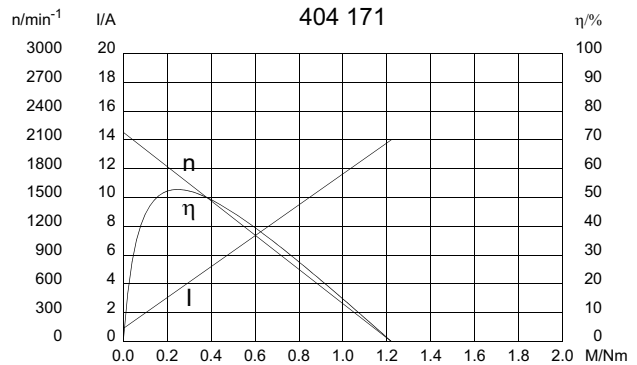
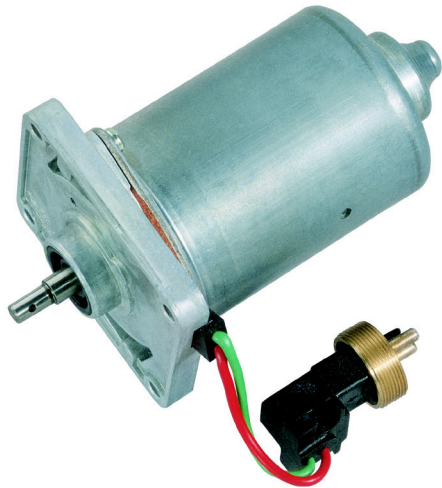
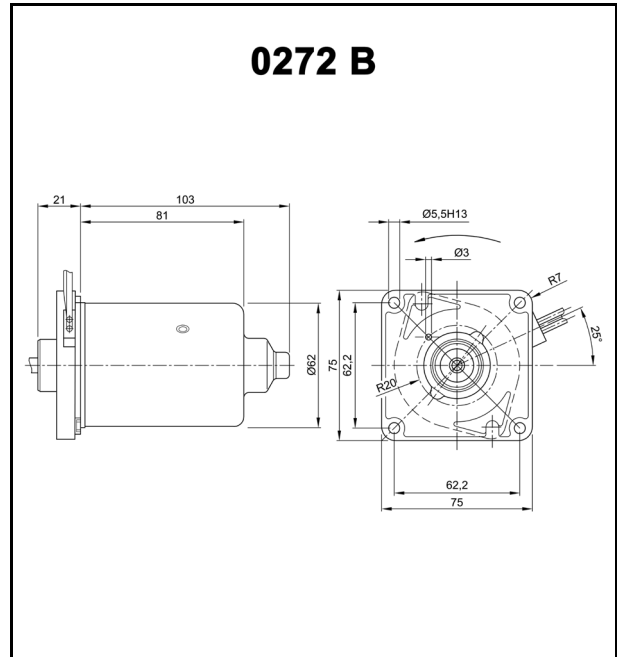
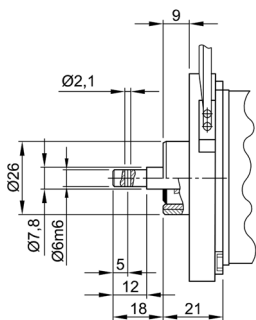


Technical Data

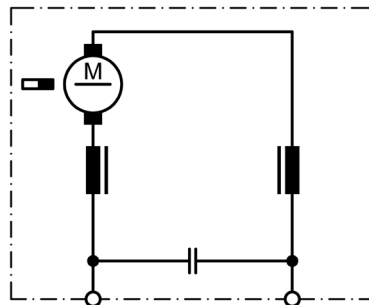
Rated voltage	U_N	[Volt]	24
No-load speed	n_0	[min ⁻¹]	2180
Nominal torque	M_N	[Nm]	0,12
ON time	%		
ON	[min]		
Starting torque	M_A	[Nm]	1,22
Gear ratio	i		
Armature resistance, 2 bars	R	[mΩ]	
4 bars	R	[mΩ]	
Armature inductance, 2 bars	L	[mH]	
4 bars	L	[mH]	
Armature load inertia	J_R	[kgm ²] × 10 ⁻⁶	
Gear wheel material			
Hall IC			
Pulses/rev. drive shaft			
Output channels			
Remarks			
Enclosure class			IP 66A
Weight		[kg]	1,150



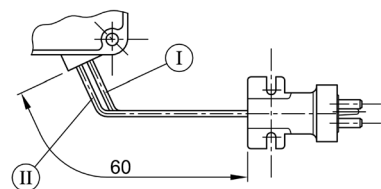
W 307



S 41



K 269



I red, +
II green, -