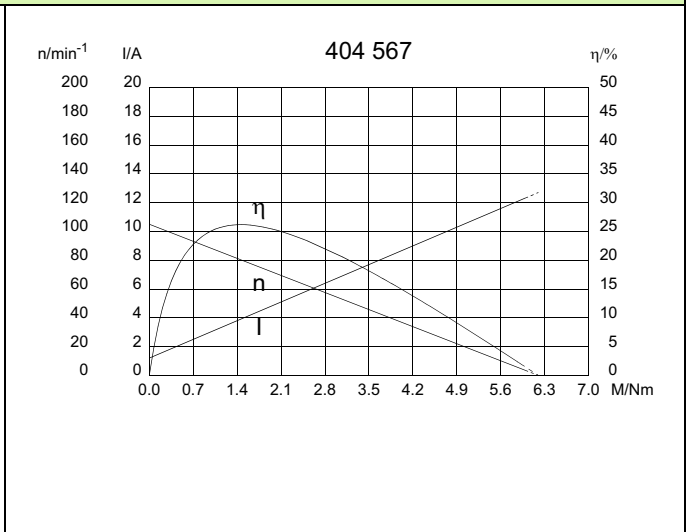
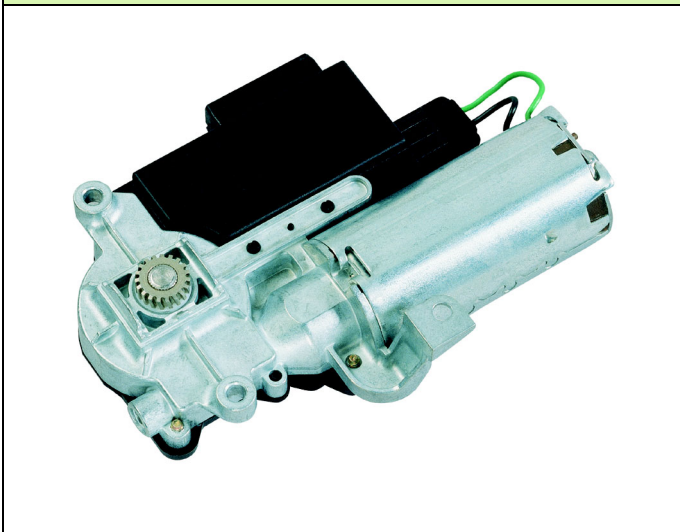
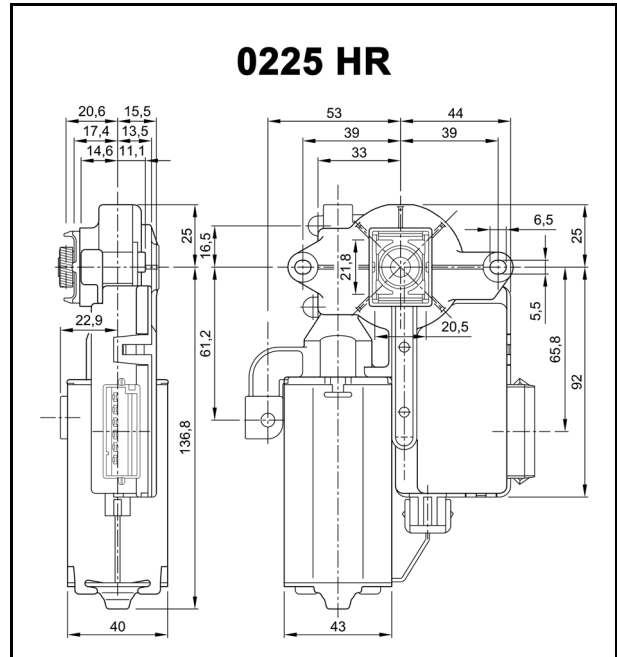


Technical Data

Rated voltage	U_N [Volt]	12
No-load speed	n_0 [min^{-1}]	105
Nominal torque	M_N [Nm]	2,00
ON time	%	10
ON	[min]	
Starting torque	M_A [Nm]	6,20
Gear ratio	i	30,5/1
Armature resistance, 2 bars	R [$\text{m}\Omega$]	820,00
4 bars	R [$\text{m}\Omega$]	600,00
Armature inductance, 2 bars	L [mH]	0,84
4 bars	L [mH]	0,70
Armature load inertia	J_R [kgm^2] $\times 10^{-6}$	16,50
Gear wheel material	plastic	
Hall IC		
Pulses/rev. drive shaft		
Output channels		
Remarks	without "Express open"	
Enclosure class		
Weight	[kg]	



W 257

I Tapered splines

W 296

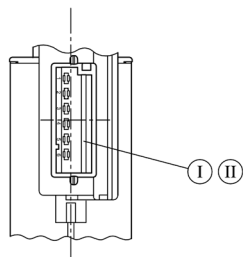
I for manuel actuation

S 74

Series 0225 (GMPG)

Motor type 404 567

K 212



- I Blade terminal housing black
NEDAP-Nr. 3612635
- II 6 Blade receptacles

Notes: