

Design Data	
Commutation	brushed
Direction of rotation	bidirectional
Bearing Type	A: Ball - B:Sleeve

Performance data		
Nominal Voltage [V]	U_N	24
Nominal Torque [Nm]	M_N	3,00
Nominal Speed [min^{-1}]	n_N	11,455
Nominal Power [W]	P_N	3,6
Nominal current [A]	I_N	1,0
Nominal force [kN]	F_N	0,00
Duty cycle	s1	

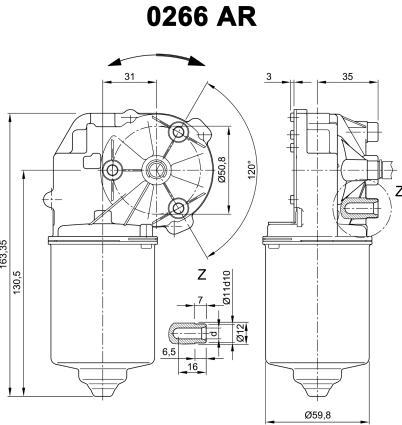
Sensor data	
Pulses	234
Output channels	1

Other data	
Gear ratio	78/1
Gear wheel material	bronze
Suppression components	6 μ H,1nF
Enclosure class	IP 30
Weight [kg]	1,210

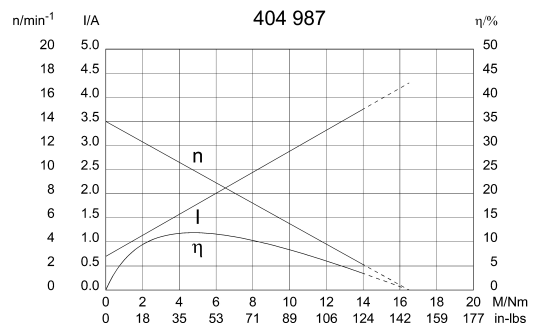
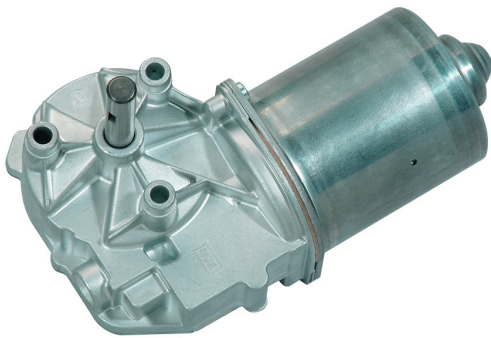
Remarks:

d = for thread-forming screw M6 DIN ISO 965-2

Characteristic Curves

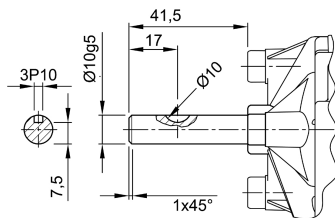


Motor picture

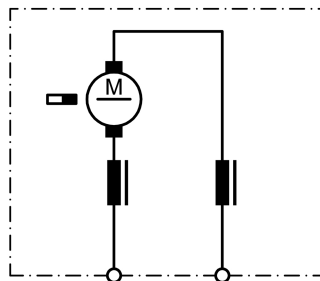


Output shaft drawing (W), Wiring diagrams (S) and Connector layout (K)

W 327



S 27



S150

