

Design Data	
Commutation	brushed
Direction of rotation	bidirectional
Bearing Type	A:Ball - B:Sleeve

Performance data		
Nominal Voltage [V]	$U_N$	24
Nominal Torque [Nm]	$M_N$	3,00
Nominal Speed [ $\text{min}^{-1}$ ]	$n_N$	167,143
Nominal Power [W]	$P_N$	52,5
Nominal current [A]	$I_N$	5,0
Nominal force [kN]	$F_N$	0,00
Duty cycle	s1	

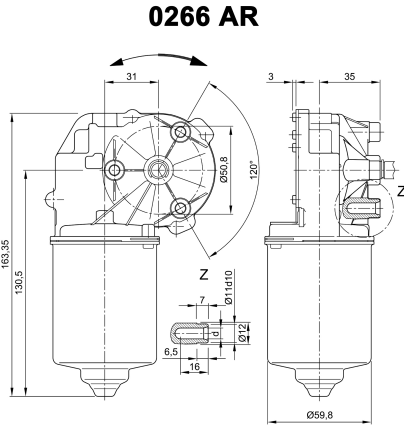
Sensor data	
Pulses	207
Output channels	1

Other data	
Gear ratio	53/2
Gear wheel material	plastic
Suppression components	6 $\mu$ H, 1nF
Enclosure class	IP 30
Weight [kg]	1,210

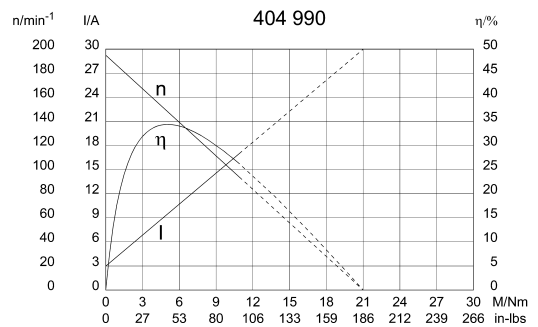
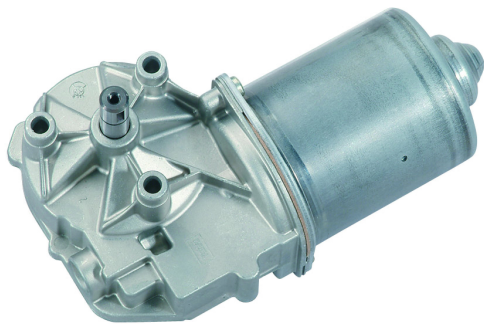
Remarks:

d = for thread-forming screw M6 DIN ISO 965-2

**Characteristic Curves**



**Motor picture**



**Output shaft drawing (W), Wiring diagrams (S) and Connector layout (K)**

