

Design Data	
Commutation	brushed
Direction of rotation	bidirectional
Bearing Type	A:Ball - B:Sleeve

Performance data		
Nominal Voltage [V]	U_N	24
Nominal Torque [Nm]	M_N	4,00
Nominal Speed [min^{-1}]	n_N	59,8
Nominal Power [W]	P_N	25,0
Nominal current [A]	I_N	3,0
Nominal force [kN]	F_N	0,00
Duty cycle	s1	

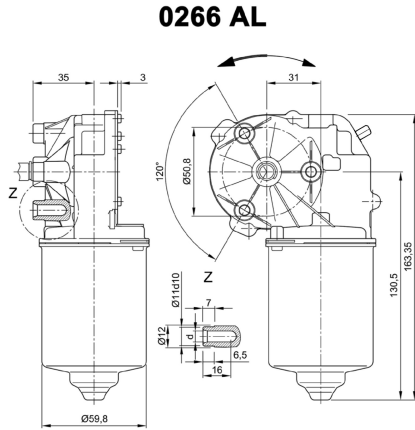
Sensor data	
Pulses	69
Output channels	2

Other data	
Gear ratio	69/1
Gear wheel material	plastic
Suppression components	6 μ H
Enclosure class	IP 30
Weight [kg]	1,250

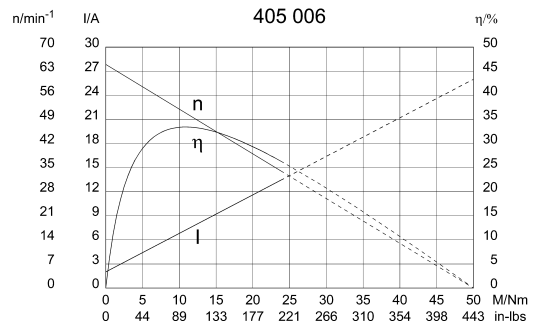
Remarks:

d = for thread-forming screw M6 DIN ISO 965-2

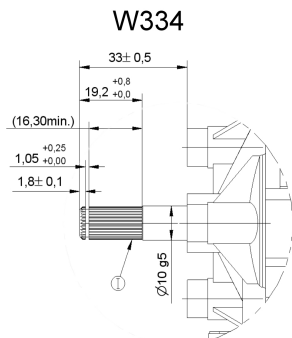
Characteristic Curves



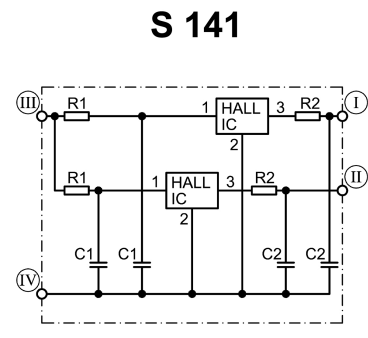
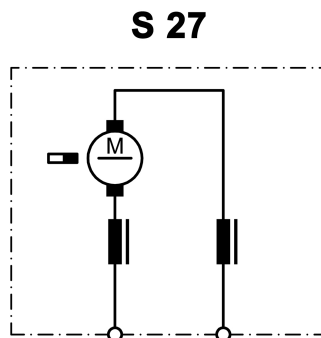
Motor picture



Output shaft drawing (W), Wiring diagrams (S) and Connector layout (K)



I serration (rolled)
no of teeth 28, pitch circle dia 9 mm, tip circle dia 9,6 mm, root circle dia 8,26 mm space width angle 60°



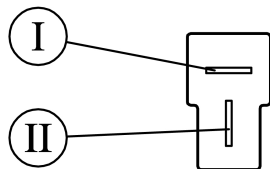
I Hall-IC A1, terminal 3
II Hall-IC A2, terminal 4
III Hall-IC +, terminal 5
IV Hall-IC -, terminal 6

Output shaft drawing (W), Wiring diagrams (S) and Connector layout (K)

goes with go/no go gauge Frenco 33906
www.frenco.de

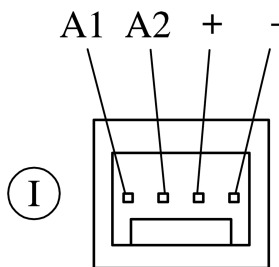
Output shaft drawing (W), Wiring diagrams (S) and Connector layout (K)

K 320



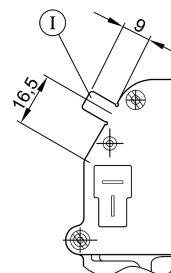
Fiat plug (DIN 46244) 6,3x0,8 mating with receptacle housing part#180907, drwg# C-180907 & Receptacles for tabs, conductor cross section 0,5-1,5 sqmm (20-18AWG) part# 925603-x, drwg# 925603 www.tycoelectronics.com

K 324



MAS-CON Solder tail MLAS 100-3435 mating with end connector CE100F-22-xx-x-x or CEP100 F-22-xx-x-x www.itwpancon.com

K 312



Ground connection 6.3 x 0.8 DIN 46 244, d=0,9-0,1mm, mating with receptacle for tab, conductor cross section 0,5-1,5 sqmm/20-16 AWG, part# RSB8240.158 F 6.3-1.5 www.stocko.de

Notes
