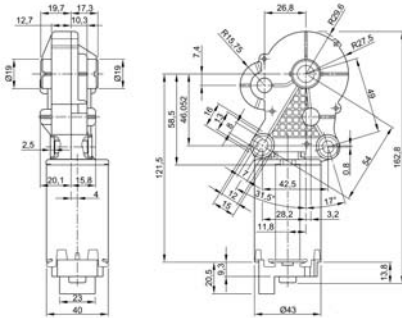


| Design Data | |
|-----------------------|---------------------|
| Commutation | Brushed |
| Direction of rotation | Bi-directional |
| Bearing type | A:Sleeve - B-Sleeve |

| Performance data | | |
|-------------------------------------|-------|------|
| Rated voltage [V] | U_N | 12 |
| Nominal torque [Nm] | M_N | 2.00 |
| No-load speed [min^{-1}] | n_0 | 22.0 |
| Nominal power [W] | P_N | 4.19 |
| Nominal current [A] | I_N | 3.0 |
| Nominal force [kN] | F_N | 0.00 |
| Duty cycle | s3 | |

0320 BR



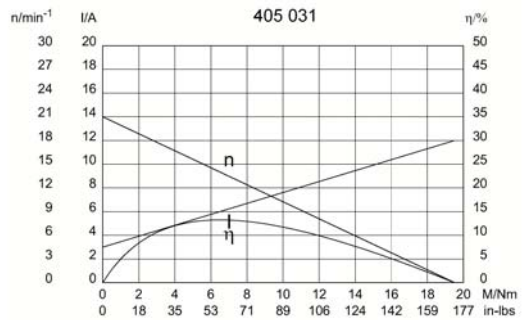
| Sensor data | |
|-----------------|-----|
| Pulses | 210 |
| Output channels | 1 |

| Other data | |
|------------------------|-------------------|
| Gear ratio | 210/1 |
| Gear wheel material | plastic |
| Suppression components | 5,5 μ H, 47nF |
| Enclosure class | IP 40 |
| Weight [kg] | 0.000 |

Remarks:

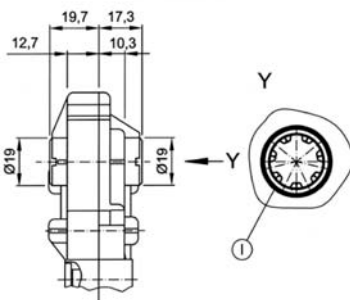
Motor picture

Characteristic curves

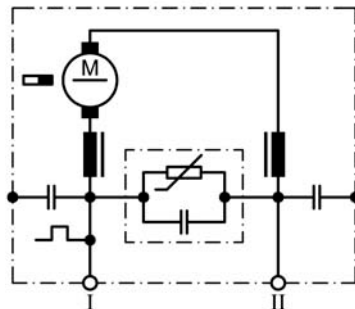


Output shaft drawing (W), Wiring diagrams (S) and Connector layout (K)

W 224

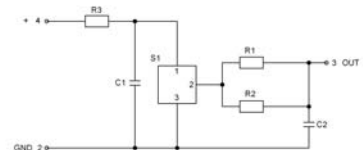


S 93



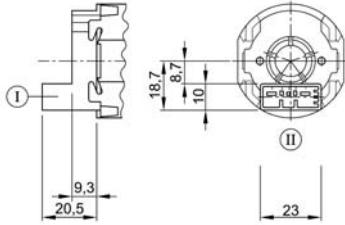
I through Profile KRC 316928 AEIZ 01

I Terminal 1
 II Terminal 5



Output shaft drawing (W), Wiring diagrams (S) and Connector layout (K)

K 220



Connector TYCO C-208-15621 (Z) mating with:
Connector housing 1379217-3 & cover
1379218-2
www.tycoelectronics.com

Notes
