

Design Data	
Commutation	Brushed
Direction of rotation	Bi-directional
Bearing type	A: Ball - B: Sleeve

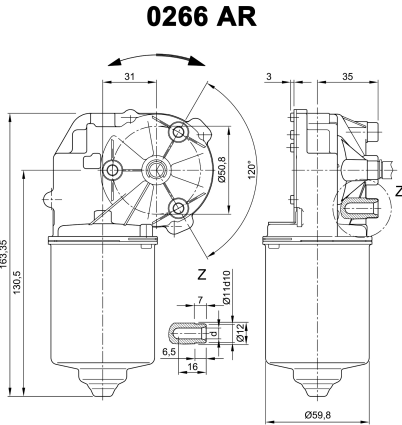
Performance data		
Rated voltage [V]	U_N	24
Nominal torque [Nm]	M_N	4.00
No-load speed [min^{-1}]	n_0	195.0
Nominal power [W]	P_N	59.9
Nominal current [A]	I_N	8.0
Nominal force [kN]	F_N	0.00
Duty cycle	s1	

Sensor data	
Pulses	26.5
Output channels	2

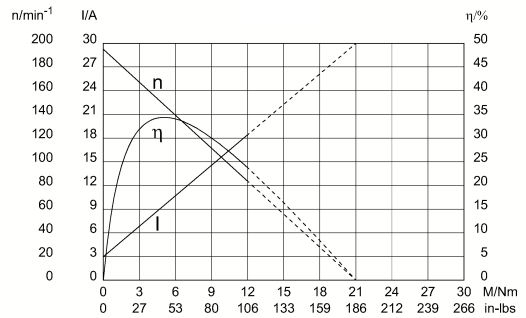
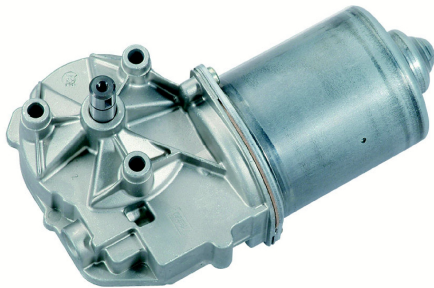
Other data	
Gear ratio	53/2
Gear wheel material	Plastic
Suppression components	6.0 μ H, 1nF
Enclosure class	IP30
Weight [kg]	1.210

Remarks: d = for thread-forming screw M6 DIN ISO 965-2

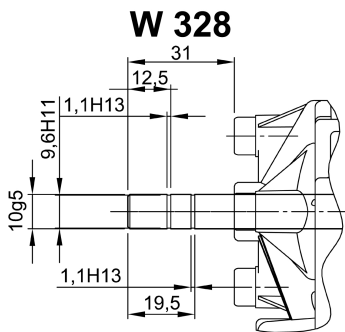
Characteristic curves



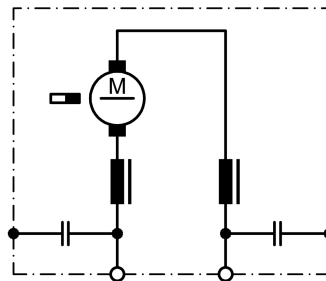
Motor picture



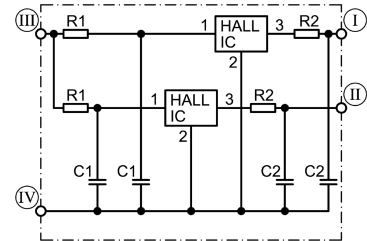
Output shaft drawing (W), Wiring diagrams (S) and Connector layout (K)



S 30



S 141



- I Hall-IC A1, terminal 3
- II Hall-IC A2, terminal 4
- III Hall-IC +, terminal 5
- IV Hall-IC -, terminal 6

