

Design Data	
Commutation	brushed
Direction of rotation	bidirectional
Bearing Type	A:Ball - B:Sleeve

Performance data		
Nominal Voltage [V]	U_N	24
Nominal Torque [Nm]	M_N	4,00
Nominal Speed [min^{-1}]	n_N	85,663
Nominal Power [W]	P_N	35,9
Nominal current [A]	I_N	5,0
Nominal force [kN]	F_N	0,00
Duty cycle	s1	

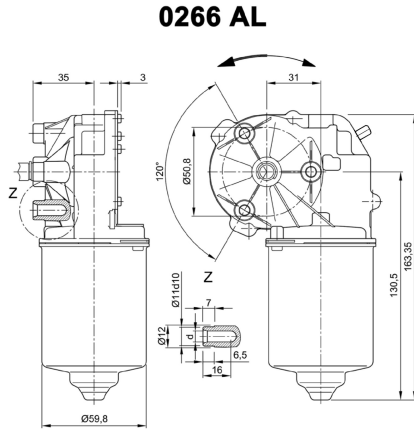
Sensor data	
Pulses	69
Output channels	1

Other data	
Gear ratio	69:1
Gear wheel material	plastic
Suppression components	6 μ H, 1nF
Enclosure class	IP 30
Weight [kg]	0,000

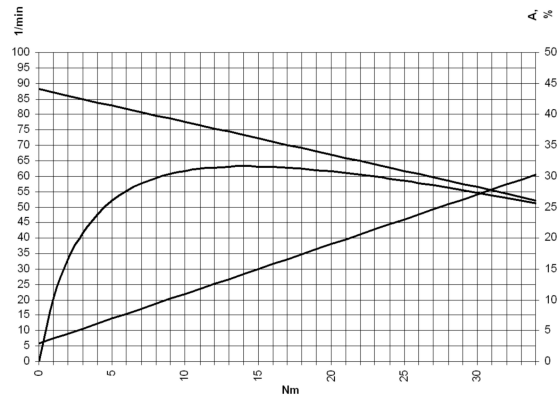
Remarks:

d=for thread forming screws M6 DIN-ISO 965-2

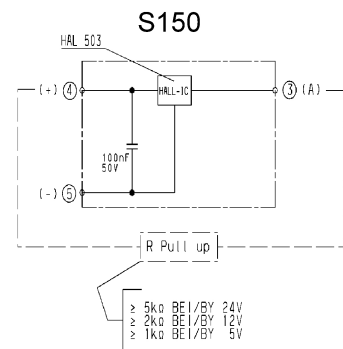
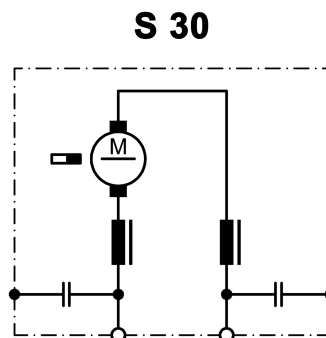
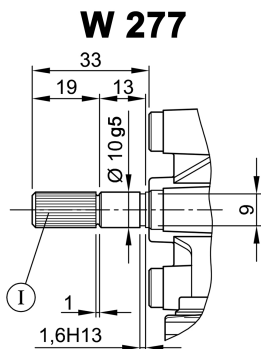
Characteristic Curves



Motor picture



Output shaft drawing (W), Wiring diagrams (S) and Connector layout (K)



I serration (rolled)
no of teeth 28, pitch circle dia 9 mm, tip circle dia 9,6 mm, root circle dia 8,26 mm space width angle 60°
goes with go/no go gauge Frenco 33906
www.frenco.de

